

8KG MARINE DRUM WASHING MACHINE

220V 60Hz OCF822D

About this item

SPECIFICATION:

Model	OCF822D
Brand	IOCEAN
Voltage	220V 60Hz
Dimension	605×450×860mm
Package Dimension	650×495×900mm
Weight	50kg / 53kg
Capacity	8kg
Rated heating power	1500W
Rated total power	1600W
Rated Washing Input power (W)	100W
Waterproof Class	IPX4

INTRODUCTION:

8 kg Marine Washer-Extractor – engineered for shipboard life. Stainless drum, 1 400 rpm variable-speed drive and dynamic balance system cancel pitch & roll, cutting vibration by 30 % while saving 15 % energy and 20 % water versus IMO benchmarks. Programmable PLC offers 14 cycles. Compact 595 × 465 × 850 mm, front-service, prepared for class-approved bulkhead or stacked installation. IMO, MED & IACS certified – ready for marine supply chain.

CHARACTERISTIC:

- Compact Space-Saving Design
- High Energy Efficiency
- Versatile Washing Programs
- Powerful Spin Performance
- Intelligent User Controls
- Robust Operational Tolerance
- Enhanced Safety Features



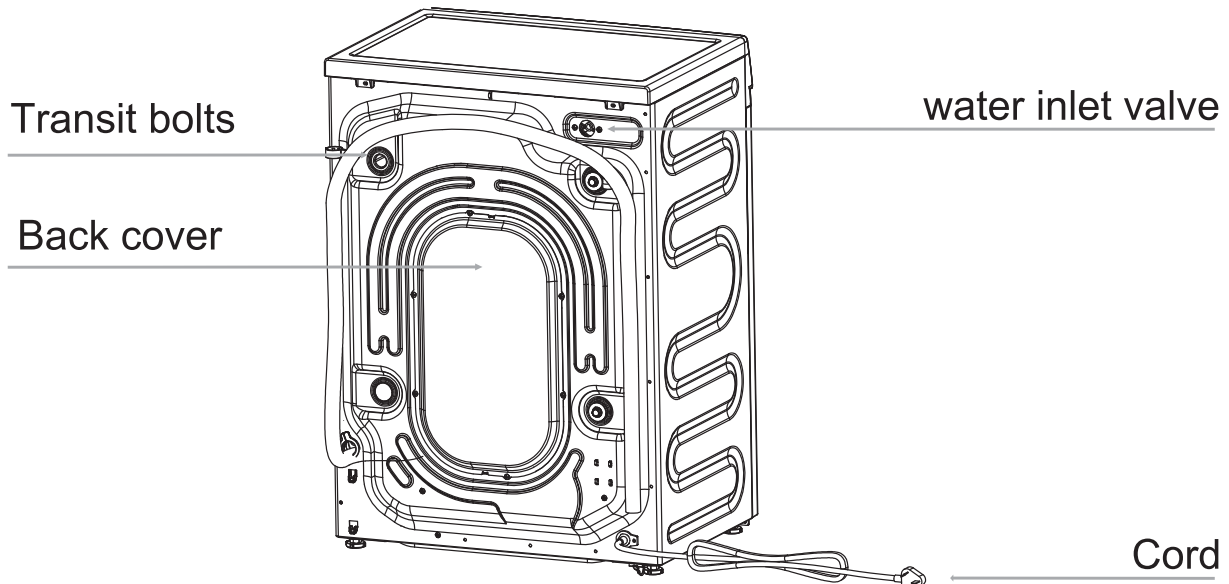
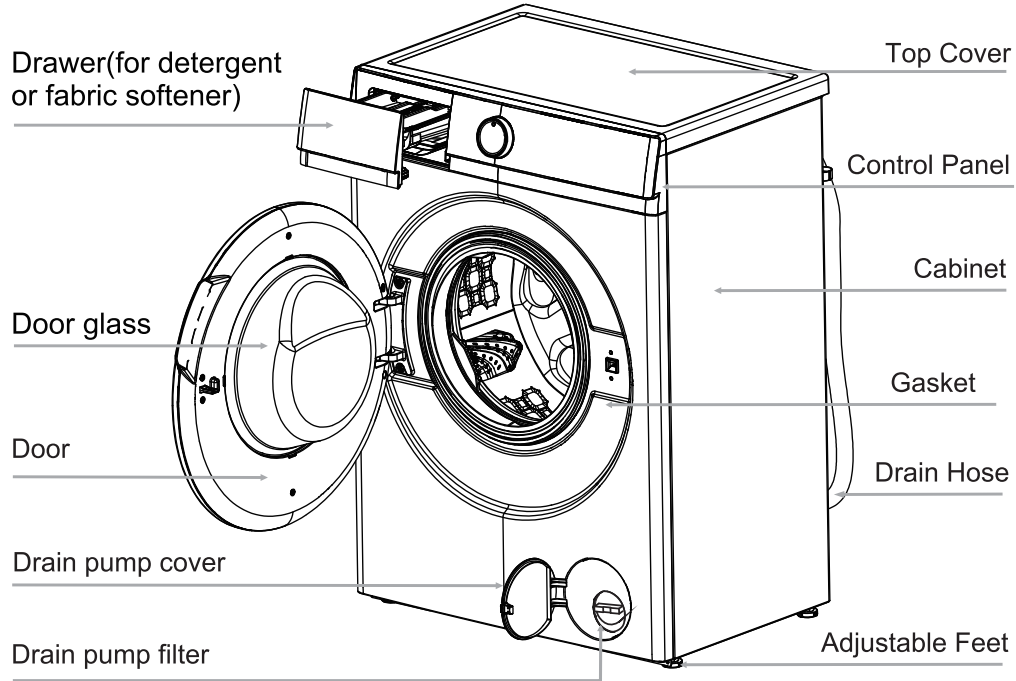
Accuracy of all technical data and information are provided to the best knowledge of the manufacturer. Properties, specifications and application parameters are subject to change without notice. The manufacturer does not undertake any liability of any kind whatsoever.

Disclaimer

Provide comfort for your voyage

Customized marine products, tailored for ships, considers hull, speed, and environment. Made with special materials & processes for stable operation in rocking, humid conditions, safeguarding your sea life

CONTROLS & INDICATORS:



Disclaimer
Accuracy of all technical data and information are provided to the best knowledge of the manufacturer.
Properties, specifications and application parameters are subject to change without notice. The manufacturer does not undertake any liability of any kind whatsoever.

Provide comfort for your voyage

Customized marine products, tailored for ships, considers hull, speed, and environment.
Made with special materials & processes for stable operation in rocking, humid conditions, safeguarding your sea life